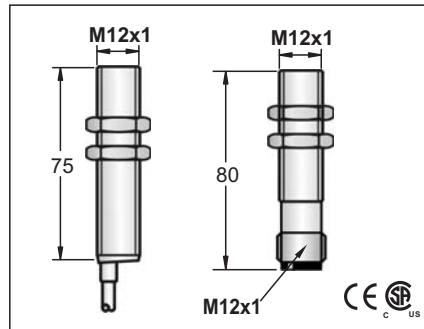


## CAPACITIVE CURRENT OUTPUT ANALOG SENSOR

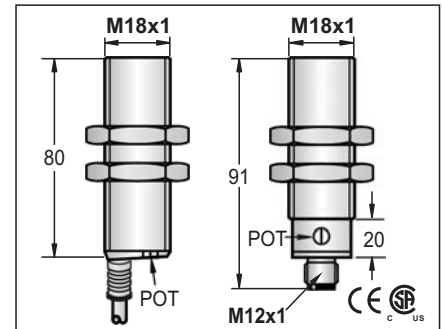
<b>Diameter</b>
● Shielded      ○ non-shielded
Sensing Distance Sn mm
Housing Material
● With LED      ○ Without LED

Dimensions (Unit: mm)
-----------------------

<b>M12</b>
●
0-5mm
nickel plated brass
○



<b>M18</b>
●
0-8mm
nickel plated brass
○

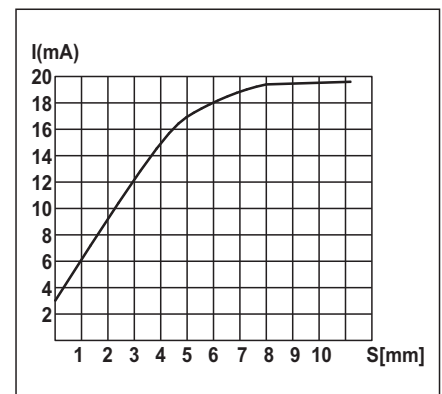
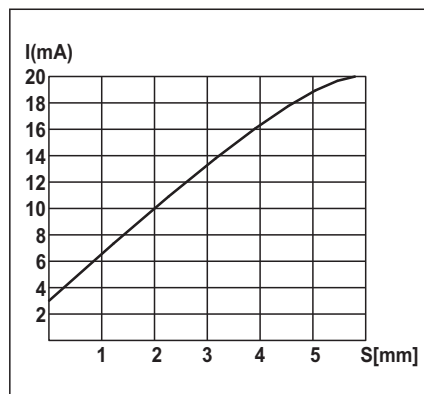


Supply Voltage
Max. Ripple
No Load Current
Working Area
Linear Area
Output Current/Load Resistor
Linearity
Repeat Accuracy
Ambient Temperature
Temperature Drift
Short Circuit Protection
Reverse Polarity Protection
protection Degree
Output signal
Time Delay Before Availability
EMC
Shock / Vibration
Material Active Face

15-30VDC
5%
45mA
0-5 mm
0-3.5 mm
4-20mA/0-200 Ω
<10%(Sr)
0.2mm
0 °C-60 °C
0.05mm/ °C
YES
YES
IP67
PNP-ANALOG
-
RFI>3V/m / EFT>1KV / ESD>4KV (contact)
IEC 60947-5-2,Part 7.4.1 / IEC 60947-5-2,Part 7.4.2
PBT

15-30VDC
5%
45mA
0-5 mm
0-3.5 mm
4-20mA/0-200 Ω
<10%(Sr)
0.2mm
0 °C-60 °C
0.05mm/ °C
YES
YES
IP67
PNP-ANALOG
-
RFI>3V/m / EFT>1KV / ESD>4KV (contact)
IEC 60947-5-2,Part 7.4.1 / IEC 60947-5-2,Part 7.4.2
PBT

Characteristics
-----------------



Inductive Voltage Output
Inductive Current Output
Inductive Voltage & Current output
Capacitive Voltage Output
Capacitive Current output
Capacitive Voltage & Current Output

<u>GCM1-1205G-I3U2</u>	19	<u>GCM1-1205G-IRU4</u>
		85

<u>CCM1-1808G-I3U2</u>	19	<u>CCM1-1808G-IRU4</u>
		85

Remark
Cable 2M (PVC)
Weight

4 φ3x0.15	-
approx.83g	approx.48g

5.0 φ44x0.1	-
approx.142g	approx.60g

Note:  
 Coming Soon : Part numbers with underline  
 In Preparation: Part numbers with a line through the middle

## CAPACITIVE CURRENT OUTPUT ANALOG SENSOR

<b>Diameter</b>	<b>M30</b>		
● Shielded      ○ non-shielded	○		
Sensing Distance Sn mm	0-30m		
Housing Material	nickel plated brass		
● With LED      ○ Without LED	○		
<b>Dimensions (Unit: mm)</b>			
Supply Voltage	15-30VDC		
Max. Ripple	5 %		
No Load Current	45mA		
Working Area	0-5 mm		
Linear Area	0-3.5 mm		
Output Current/Load Resistor	4-20mA/0-200Ω		
Linearity	<10%(Sr)		
Repeat Accuracy	0.2mm		
Ambient Temperature	0 ° C-600 ° C		
Temperature Drift	0.05mm/° C		
Short Circuit Protection	YES		
Reverse Polarity Protection	YES		
protection Degree	IP67		
Output signal	PNP-ANALOG		
Time Delay Before Availability	-		
EMC	RFI>3V/m / EFT>1KV / ESD>4KV (contact)		
Shock / Vibration	IEC 60947-5-2,Part 7.4.1 / IEC 60947-5-2,Part 7.4.2		
Material Active Face	PBT		
<b>Characteristics</b>			
Inductive Voltage Output			
Inductive Current Output			
Inductive Voltage & Current output			
Capacitive Voltage Output			
Capacitive Current output	<u>CCM2-3030G-I3U2</u>	19	<u>CCM2-3030G-IRU4</u>
Capacitive Voltage & Current Output			85
<b>Remark</b>			
Cable 2M (PVC)	5.8 φ3x0.5		-
Weight	approx.246g		approx.150g

Note:  
Coming Soon : Part numbers with underline